

FES RANGE

LED IP65 RATED CORROSION RESISTANT

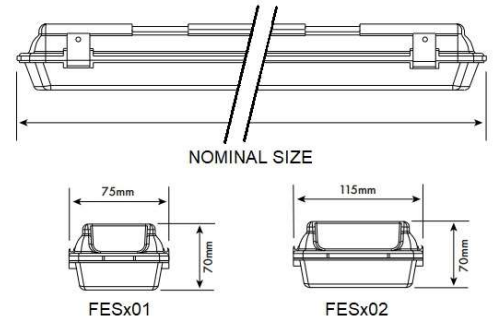


FEATURES

- IP65 rated
- Corrosion resistant body and an LED satin diffuser
- TPa Polycarbonate body and diffuser as standard
- Digital or analogue dimming options
- Integral microwave sensor option
- Emergency and self-test versions available
- Up to 120 Lm/tcW

The FES is the ideal luminaire for corrosive, damp and dust laden environments. The body and diffuser are manufactured in polycarbonate, sealed to IP65 which makes this luminaire suitable for external areas. The satin diffuser is specifically designed for use with LEDs with a high light transmission & low glare properties.

DIMENSIONS



LUMINAIRE CAT NO	NOMINAL SIZE MM	WEIGHT KG	POWER (tcW)	LUMEN OUTPUT*	DIM OPT	EM OPT
FES401	1270 x 105	2.0	25	3,000	•	•
FES501	1570 x 105	2.5	35	4,200	•	•
FES402	1270 x 163	2.0	50	6,000	•	•
FES502	1570 x 163	2.5	70	8,400	•	•

* Lumen output of the luminaire with 4,000k diodes at 25°C ambient.

ADDITIONAL ORDERING INFORMATION

- DALI dimming - add /DALI
- Emergency version - add /EM
- Emergency self-test - add /EM/ST
- Microwave sensor - add /PD

LED Colours:

- Warm White (3000k) - add /CLWW
- Cool White (4000k) - add /CLCW

Body Colours:

- Grey as standard