

SCE & SQE RANGE

IP20 CIRCULAR AND SQUARE STANDALONE COMPACT BULKHEADS



SCE/3W

SQE/3W

The SCE & SQE ranges offer a choice of circular or square compact bulkhead. These stylish, surface mounted luminaires are IP20 rated making them suitable for interior projects. A unique feature of these fittings is the halo effect bi-colour charge indicator, making fault checking simple.

They both come with 3W LED diodes with white polycarbonate bodies as standard, but can be supplied in black polycarbonate if desired. They can be supplied with either open area or corridor optics; either option provides around 250 lumens.

They are available in non-maintained, non-maintained self-test and non-maintained DALI self-test versions.

LUMINAIRE CAT NO.	OPTIC	LED WATTS	LUMEN OUTPUT	WEIGHT KG
SCE/3W/CO	CORRIDOR	3.0	265	0.37
SCE/3W/OA	OPEN AREA	3.0	265	0.37
SQE/3W/CO	CORRIDOR	3.0	265	0.4
SQE/3W/OA	OPEN AREA	3.0	265	0.4

ADDITIONAL ORDERING INFORMATION

- Self-test - add /EMST
- DALI self-test - add /EM-DA

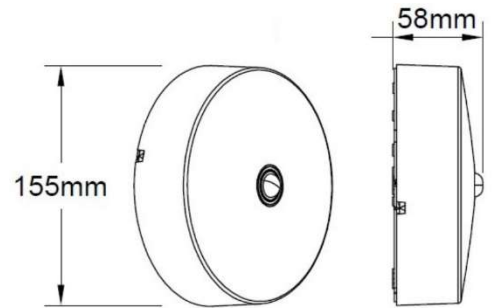
Body colours:-

- White - as standard
- Black - add /B

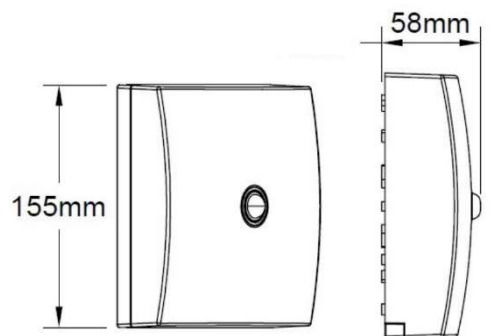
FEATURES

- Compact, discrete Design
- IP20 rated
- Up to 265 lumen output
- Non-maintained, self- test and DALI self-test versions.
- Choice of body colour
- Open area and corridor optic options

DIMENSIONS



SCE/3W



SQE/3W