

VNS RANGE

FLAT PANEL LED MODULAR



The VNS flat panel LED modular has been developed to suit today's growing demand for LED solutions. This high specification luminaire comes as standard with a TPb UGR<19 diffuser; a TPa diffuser is also available. There is a choice of colour temperatures / tuneable white versions with a variety of outputs to suit most applications.

The VNS can be supplied to fit either an exposed T- grid or plasterboard ceiling (using a plasterboard frame) or can be surface mounted or wire suspended. As an emergency unit it can be supplied with an inverter to power the board or via a separate remote LED head.

These options mean it is perfectly suited as a low energy luminaire for a visually comfortable working environment, ideal for offices, schools, hospitals, banks, and public buildings.

LUMINAIRE CAT NO	NOMINAL SIZE MM	LUMEN OUTPUT*	POWER (tcW)	WEIGHT KG	DIM OPT	EM OPT
VNS/Q60/HE	595x595	2,960	24.8	0.4	•	•
VNS/Q60	595x595	3,900	33.4	0.4	•	•
VNS/Q60/HO	595x595	4,330	38.6	0.4	•	•
VNS/Q60/TW**	595x595	3,900	33.5	0.4	•	•
VNS/R123/HE	295x1195	2,960	24.8	0.4	•	•
VNS/R123	295x1195	3,900	33.4	0.4	•	•
VNS/R123/HO	295x1195	4,330	38.6	0.4	•	•

* Lumen output of the luminaire based on 4,000K diodes at 25°C ambient
 ** Technical values based on 4,000k, other colour temperatures will vary

ADDITIONAL ORDERING INFORMATION

- DALI dimming - add /DALI
- Recessed Tee ceiling - add /R
- Plasterboard ceiling - add /PB
- Surface Mounted - add /SUF
- Wire Suspension - add /DSW
- TPa diffuser - add /TPa
- IP65 rating - add /IP65
- Emergency version - add /EM
- EM remote LED corridor - add /EMLED/CO/R
- EM remote LED 110° - add /EMLED/110/R

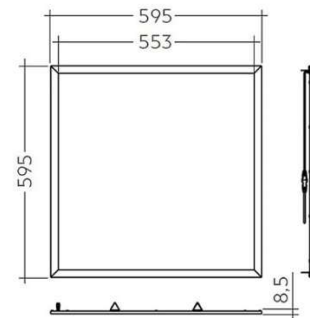
Body Colours:
 • White as standard

- LED Colours:
- Warm white (3,000k) - add /CLWW
 - Cool white (4,000k) - add /CLCW
 - Daylight white (6,500k) - add /CLDW

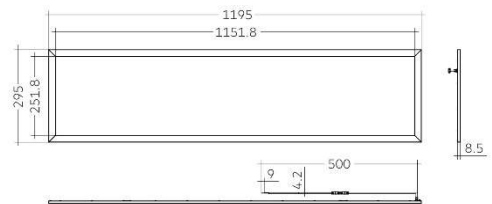
FEATURES

- L80 F10 @ 50,000 hours
- CRI 80, CRI 90 also available
- 3,000K, 4,000K and 6,500K colour temperature options
- Tuneable white version (2,700k – 6,500k) available with either DALI or manual control via a switch
- UGR<19 TPb diffuser as standard
- TPa diffuser option also available
- DALI dimming available
- Supplied to fit either an exposed tee or plasterboard ceiling, or can be surface mounted / wire suspended
- 8.5mm void depth – not inc. driver
- White powder coated aluminium frame
- Emergency with 3W LED remote head, or integral versions.
- IP20 as standard, IP65 available
- Up to 119 Llm/tcW

DIMENSIONS



VNS/Q60



VNS/R123